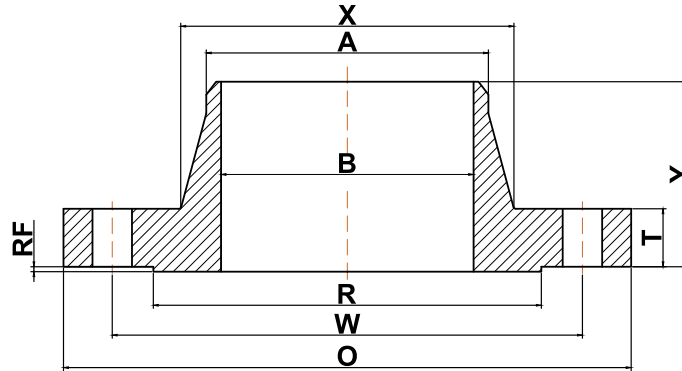


➡ ASME B16.47 series A flange

▶ Class 150 Welding Neck Flanges



Nominal Pipe Size	Outside Diameter (O)	Bolt Circle (W)	Raised Face Diameter (R)	Number of Holes	Diameter of Holes	Bore (B)	Top of Hub (A)	Hub Diameter (X)	Minimum Fillet Radius (r)	Minimum Thickness (T)	Length Thru Hub (Y)	Approximate Weight (lbs)
26	34.25	31.75	29.50	24	1.38	Specified by purchaser	26.00	26.62	0.38	2.69	4.75	300
28	36.50	34.00	31.50	28	1.38	Specified by purchaser	28.00	28.62	0.44	2.81	4.94	345
30	38.75	36.00	33.75	28	1.38	Specified by purchaser	30.00	30.75	0.44	2.94	5.38	400
32	41.75	38.50	36.00	28	1.62	Specified by purchaser	32.00	32.75	0.44	3.19	5.69	505
34	43.75	40.50	38.00	32	1.62	Specified by purchaser	34.00	34.75	0.50	3.25	5.88	540
36	46.00	42.75	40.25	32	1.62	Specified by purchaser	36.00	36.75	0.50	3.56	6.19	640
38	48.75	45.25	42.25	32	1.62	Specified by purchaser	38.00	39.00	0.50	3.44	6.19	720
40	50.75	47.25	44.25	36	1.62	Specified by purchaser	40.00	41.00	0.50	3.56	6.44	775
42	53.00	49.50	47.00	36	1.62	Specified by purchaser	42.00	43.00	0.50	3.81	6.75	890
44	55.25	51.75	49.00	40	1.62	Specified by purchaser	44.00	45.00	0.50	4.00	7.00	990
46	57.25	53.75	51.00	40	1.62	Specified by purchaser	46.00	47.12	0.50	4.06	7.31	1060
48	59.50	56.00	53.50	44	1.62	Specified by purchaser	48.00	49.12	0.50	4.25	7.56	1185
50	61.75	58.25	55.50	44	1.88	Specified by purchaser	50.00	51.25	0.50	4.38	8.00	1270
52	64.00	60.50	57.50	44	1.88	Specified by purchaser	52.00	53.25	0.50	4.56	8.25	1410
54	66.25	62.75	59.50	44	1.88	Specified by purchaser	54.00	55.25	0.50	4.75	8.50	1585
56	68.75	65.00	62.00	48	1.88	Specified by purchaser	56.00	57.38	0.50	4.88	9.00	1760
58	71.00	67.25	64.00	48	1.88	Specified by purchaser	58.00	59.38	0.50	5.06	9.25	1915
60	73.00	69.25	66.00	52	1.88	Specified by purchaser	60.00	61.38	0.50	5.19	9.44	2045

(A) All dimensions are in inches

(B) These flanges will be furnished with a 1/16" raised face unless otherwise specified.

(C) Standard Bore will be furnished unless otherwise specified.