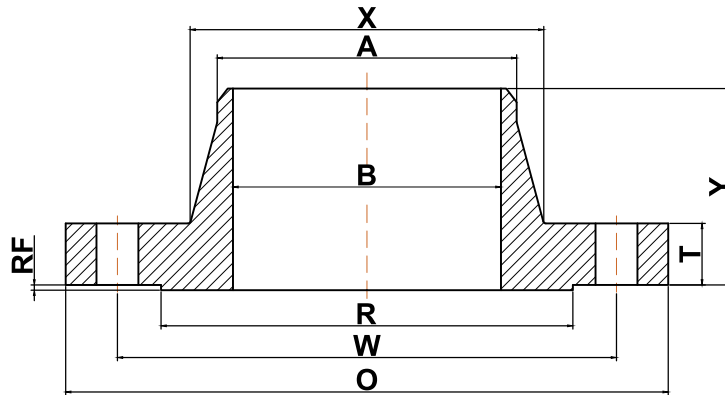


➔ ASME B16.47 series B flange

▶ Class 300 Welding Neck Flanges



Nominal Pipe Size	Outside Diameter (O)	Bolt Circle (W)	Raised Face Diameter (R)	Number of Holes	Diameter of Holes	Bore (B)	Top of Hub (A)	Hub Diameter (X)	Minimum Fillet Radius (r)	Minimum Thickness (T)	Length Thru Hub (Y)	Approximate Weight (lbs)
26	34.12	31.62	29.00	32	1.38	Specified by purchaser	26.19	27.62	0.56	3.50	5.69	400
28	36.25	33.75	31.00	36	1.38	Specified by purchaser	28.19	29.75	0.56	3.50	5.88	450
30	39.00	36.25	33.25	36	1.50	Specified by purchaser	30.25	32.00	0.56	3.69	6.22	550
32	41.50	38.50	35.50	32	1.62	Specified by purchaser	32.25	34.00	0.62	4.06	6.62	685
34	43.62	40.62	37.50	36	1.62	Specified by purchaser	34.25	36.12	0.62	4.06	6.81	750
36	46.12	42.88	39.75	32	1.75	Specified by purchaser	36.25	38.00	0.62	4.06	7.12	840
38	48.12	44.88	41.75	36	1.75	Specified by purchaser	38.25	40.00	0.62	4.38	7.56	915
40	50.12	46.88	43.88	40	1.75	Specified by purchaser	40.25	42.00	0.62	4.56	7.81	990
42	52.50	49.00	46.00	36	1.88	Specified by purchaser	42.31	44.00	0.62	4.69	8.06	1135
44	54.50	51.00	48.00	40	1.88	Specified by purchaser	44.31	46.19	0.62	5.00	8.44	1235
46	57.50	53.75	50.00	36	2.00	Specified by purchaser	46.31	48.38	0.62	5.06	8.75	1470
48	59.50	55.75	52.25	40	2.00	Specified by purchaser	48.31	50.31	0.62	5.06	8.81	1575
50	61.50	57.75	54.25	44	2.00	Specified by purchaser	50.31	52.38	0.62	5.44	9.25	1710
52	63.50	59.75	56.25	48	2.00	Specified by purchaser	52.31	54.44	0.62	5.62	9.56	1840
54	65.88	62.12	58.25	48	2.00	Specified by purchaser	54.31	56.50	0.62	5.38	9.44	1980
56	69.50	65.00	60.50	36	2.38	Specified by purchaser	56.31	58.81	0.69	6.06	10.56	2595
58	71.94	67.44	62.75	40	2.38	Specified by purchaser	58.31	60.94	0.69	6.06	10.81	2770
60	73.94	69.44	65.00	40	2.38	Specified by purchaser	60.31	62.94	0.69	5.94	10.69	2870

(A) All dimensions are in inches

(B) These flanges will be furnished with a 1/16" raised face unless otherwise specified.

(C) Standard Bore will be furnished unless otherwise specified.