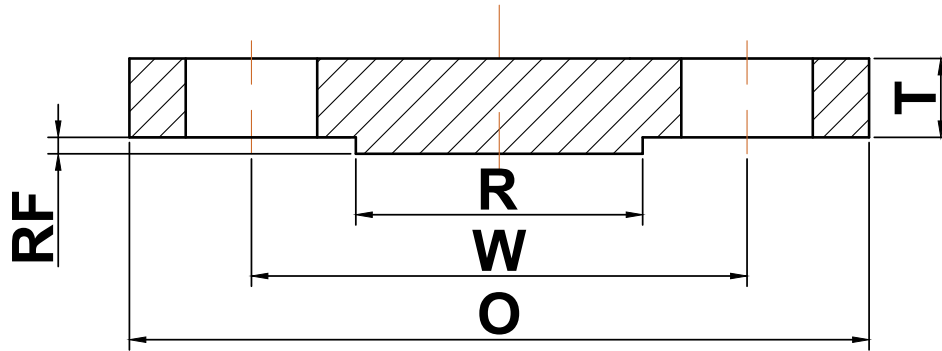


ASME B16.47 series B flange

▶ Class 400 Blind Flanges



Nominal Pipe Size	Outside Diameter (O)	Bolt Circle (W)	Raised Face Diameter (R)	Number of Holes	Diameter of Holes	Minimum Thickness (T)	Approximate Weight (lbs)
26	33.50	30.75	28.00	28	1.50	3.50	875
28	36.00	33.00	30.00	24	1.62	3.75	1081
30	38.25	35.25	32.25	28	1.62	4.00	1302
32	40.75	37.50	34.38	28	1.75	4.25	1570
34	42.75	39.50	36.50	32	1.75	4.38	1780
36	45.50	42.00	38.62	28	1.88	4.69	2160
38	47.50	44.00	40.75	32	1.88	4.88	2450
40	50.00	46.25	43.00	32	2.00	5.12	2849
42	52.00	48.25	45.00	32	2.00	5.25	3160
44	54.50	50.50	47.25	32	2.12	5.50	3635
46	56.75	52.75	49.50	36	2.12	5.75	4120
48	59.50	55.25	51.50	28	2.38	6.00	4725
50	61.75	57.50	53.62	32	2.38	6.25	5303
52	63.75	59.50	55.62	32	2.38	6.44	5823
54	67.00	62.25	57.88	28	2.62	6.75	6742
56	69.00	64.25	60.12	32	2.62	6.94	7352
58	71.00	66.25	62.12	32	2.62	7.12	7986
60	74.25	69.00	64.38	32	2.88	7.44	9126

(a) All dimensions are in inches

(b) These flanges will be furnished with a 1/4" raised face unless otherwise specified.