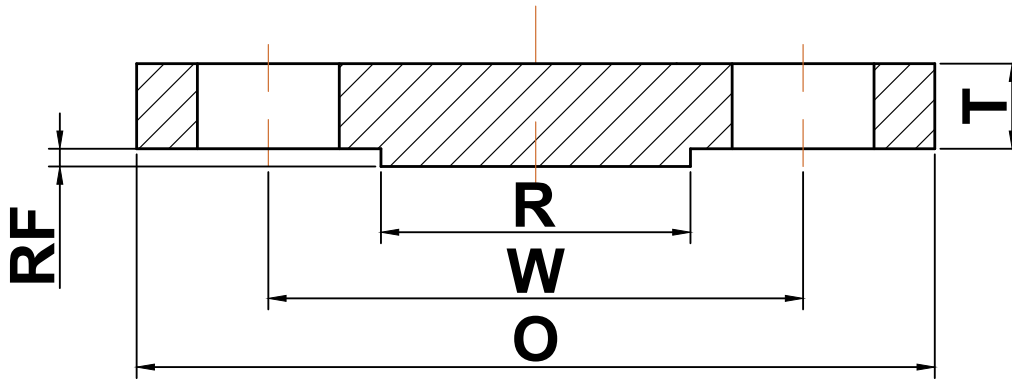




ANSI b16.5

▶ Class 600 Blind Flanges



Nominal Pipe Size	Outside Diameter (O)	Bolt Circle (W)	Raised Face Diameter (R)	Number of Holes	Diameter of Holes	Thickness (T)	Approximate Weight (lbs)
1/2	3.75	2.62	1.38	4	0.63	0.56	2
3/4	4.62	3.25	1.69	4	0.75	0.62	3
1	4.88	3.50	2.00	4	0.75	0.69	4
1 1/4	5.25	3.88	2.50	4	0.75	0.81	5
1 1/2	6.12	4.50	2.88	4	0.88	0.88	8
2	6.50	5.00	3.62	8	0.75	1.00	10
2 1/2	7.50	5.88	4.12	8	0.88	1.12	15
3	8.25	6.62	5.00	8	0.88	1.25	20
3 1/2	9.00	7.25	5.50	8	1.00	1.38	29
4	10.75	8.50	6.19	8	1.00	1.50	41
5	13.00	10.50	7.31	8	1.13	1.75	68
6	14.00	11.50	8.50	12	1.13	1.88	86
8	16.50	13.75	10.62	12	1.25	2.19	140
10	20.00	17.00	12.75	16	1.38	2.50	230
12	22.00	19.25	15.00	20	1.38	2.62	295
14	23.75	20.75	16.25	20	1.50	2.75	355
16	27.00	23.75	18.50	20	1.63	3.00	495
18	29.25	25.75	21.00	20	1.75	3.25	630
20	32.00	28.50	23.00	24	1.75	3.50	810
22	34.25	30.62	25.25	24	1.88	3.75	1000
24	37.00	33.00	27.25	24	2.00	4.00	1250

(a) All dimensions are in inches

(b) These flanges will be furnished with a 1/4" raised face unless otherwise specified.