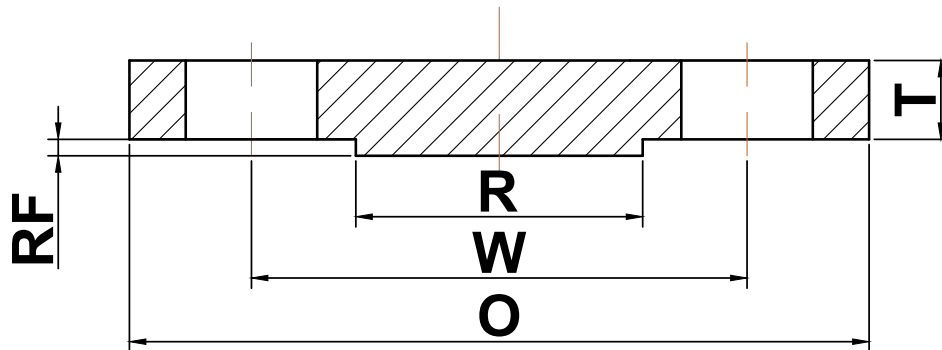


➔ ASME B16.47 series B flange

▶ Class 600 Blind Flanges



| Nominal Pipe Size | Outside Diameter (O) | Bolt Circle (W) | Raised Face Diameter (R) | Number of Holes | Diameter of Holes | Minimum Thickness (T) | Approximate Weight (lbs) |
|-------------------|----------------------|-----------------|--------------------------|-----------------|-------------------|-----------------------|--------------------------|
| 26 | 35.00 | 31.75 | 28.62 | 28 | 1.75 | 4.38 | 1195 |
| 28 | 37.50 | 34.00 | 30.88 | 28 | 1.88 | 4.56 | 1427 |
| 30 | 40.25 | 36.50 | 33.12 | 28 | 2.00 | 5.00 | 1800 |
| 32 | 42.75 | 38.75 | 35.25 | 28 | 2.12 | 5.31 | 2160 |
| 34 | 45.75 | 41.50 | 37.50 | 24 | 2.38 | 5.68 | 2645 |
| 36 | 47.75 | 43.50 | 39.75 | 28 | 2.38 | 5.94 | 3013 |
| 38 | 50.00 | 45.75 | 41.50 | 28 | 2.38 | 6.12 | 3405 |
| 40 | 52.00 | 47.75 | 43.75 | 32 | 2.38 | 6.38 | 3838 |
| 42 | 55.25 | 50.50 | 46.00 | 28 | 2.62 | 6.75 | 4585 |
| 44 | 57.25 | 52.50 | 48.25 | 32 | 2.62 | 7.00 | 5105 |
| 46 | 59.50 | 54.75 | 50.25 | 32 | 2.62 | 7.31 | 5758 |
| 48 | 62.75 | 57.50 | 52.50 | 32 | 2.88 | 7.69 | 6737 |
| 50 | 65.75 | 60.00 | 54.50 | 28 | 3.12 | 8.00 | 7695 |
| 52 | 67.75 | 62.00 | 56.50 | 32 | 3.12 | 8.25 | 8425 |
| 54 | 70.00 | 64.25 | 58.75 | 32 | 3.12 | 8.56 | 9333 |
| 56 | 73.00 | 66.75 | 60.75 | 32 | 3.38 | 8.88 | 10,530 |
| 58 | 75.00 | 68.75 | 63.00 | 32 | 3.38 | 9.12 | 11,414 |
| 60 | 78.50 | 71.75 | 65.25 | 28 | 3.62 | 9.56 | 13,108 |

(a) All dimensions are in inches

(b) These flanges will be furnished with a 1/4" raised face unless otherwise specified.