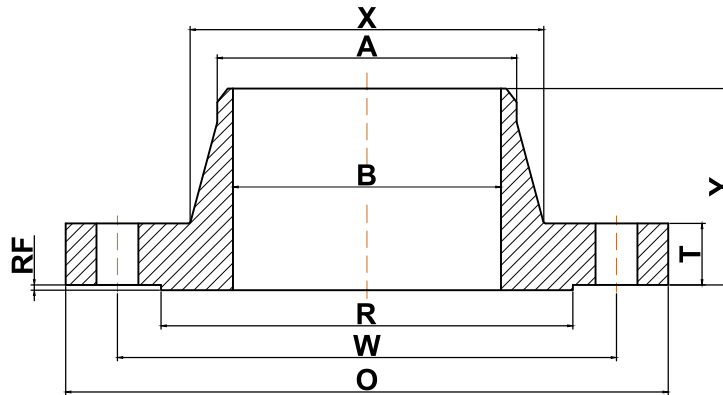


## ➔ ASME B16.47 series B flange

### ▶ Class 75 Welding Neck Flanges



Nominal Pipe Size	Outside Diameter (O)	Bolt Circle (W)	Raised Face Diameter (R)	Number of Holes	Diameter of Holes	Bore (B)	Top of Hub (A)	Hub Diameter (X)	Minimum Fillet Radius (r)	Minimum Thickness (T)	Length Thru Hub (Y)	Approximate Weight (lbs)
26	30.00	28.50	27.75	36	0.75	Specified by purchaser	26.06	26.62	0.31	1.31	2.31	80
28	32.00	30.50	29.75	40	0.75	Specified by purchaser	28.06	28.62	0.31	1.31	2.44	85
30	34.00	32.50	31.75	44	0.75	Specified by purchaser	30.06	30.62	0.31	1.31	2.56	90
32	36.00	34.50	33.75	48	0.75	Specified by purchaser	32.06	32.62	0.31	1.38	2.75	105
34	38.00	36.50	35.75	52	0.75	Specified by purchaser	34.06	34.62	0.31	1.38	2.88	110
36	40.69	39.06	38.00	40	0.88	Specified by purchaser	36.06	36.81	0.38	1.44	3.38	145
38	42.69	41.06	40.00	40	0.88	Specified by purchaser	38.06	38.81	0.38	1.50	3.50	160
40	44.69	43.06	42.00	44	0.88	Specified by purchaser	40.06	40.81	0.38	1.50	3.62	170
42	46.69	45.06	44.00	48	0.88	Specified by purchaser	42.06	42.81	0.38	1.56	3.75	185
44	49.25	47.38	46.25	36	1.00	Specified by purchaser	44.06	44.88	0.38	1.69	4.12	230
46	51.25	49.38	48.25	40	1.00	Specified by purchaser	46.06	46.88	0.38	1.75	4.25	245
48	53.25	51.38	50.25	44	1.00	Specified by purchaser	48.06	48.88	0.38	1.81	4.38	270
50	55.25	53.38	52.25	44	1.00	Specified by purchaser	50.06	50.94	0.38	1.88	4.56	290
52	57.38	55.50	54.25	48	1.00	Specified by purchaser	52.06	52.94	0.38	1.88	4.75	310
54	59.38	57.50	56.25	48	1.00	Specified by purchaser	54.06	55.00	0.38	1.94	4.94	340
56	62.00	59.88	58.50	40	1.12	Specified by purchaser	56.06	57.12	0.44	2.00	5.31	400
58	64.00	61.88	60.50	44	1.12	Specified by purchaser	58.06	59.12	0.44	2.06	5.44	430
60	66.00	63.88	62.50	44	1.12	Specified by purchaser	60.06	61.12	0.44	2.19	5.69	475

(A) All dimensions are in inches

(B) These flanges will be furnished with a 1/16" raised face unless otherwise specified.

(C) Standard Bore will be furnished unless otherwise specified.