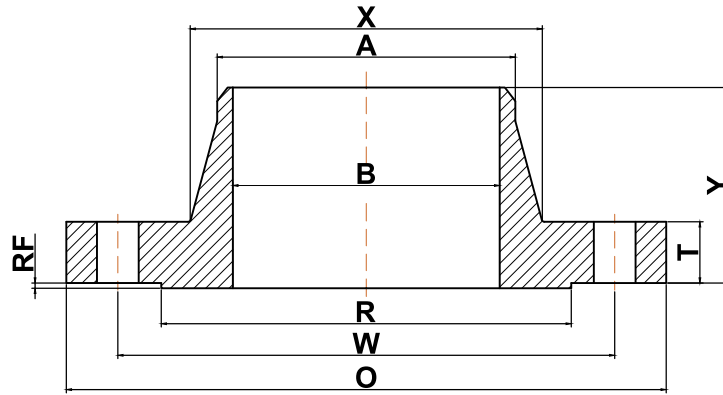




ANSI b16.5

▶ Class 300 Welding Neck Flanges



| Nominal Pipe Size | Outside Diameter (O) | Bolt Circle (W) | Raised Face Diameter (R) | Number of Holes | Diameter of Holes | Bore (B) | Point of Weld (A) | Hub Diameter (X) | Thickness (T) | Length Thru Hub (Y) | Approximate Weight (lbs) |
|-------------------|----------------------|-----------------|--------------------------|-----------------|-------------------|----------|-------------------|------------------|---------------|---------------------|--------------------------|
| 1/2 | 3.75 | 2.62 | 1.38 | 4 | 0.63 | 0.62 | 0.84 | 1.50 | 0.50 | 2.00 | 2 |
| 3/4 | 4.62 | 3.25 | 1.69 | 4 | 0.75 | 0.82 | 1.05 | 1.88 | 0.56 | 2.19 | 3 |
| 1 | 4.88 | 3.50 | 2.00 | 4 | 0.75 | 1.05 | 1.32 | 2.12 | 0.62 | 2.38 | 4 |
| 1 1/4 | 5.25 | 3.88 | 2.50 | 4 | 0.75 | 1.38 | 1.66 | 2.50 | 0.69 | 2.50 | 5 |
| 1 1/2 | 6.12 | 4.50 | 2.88 | 4 | 0.88 | 1.61 | 1.90 | 2.75 | 0.75 | 2.63 | 7 |
| 2 | 6.50 | 5.00 | 3.62 | 8 | 0.75 | 2.07 | 2.38 | 3.31 | 0.81 | 2.69 | 9 |
| 2 1/2 | 7.50 | 5.88 | 4.12 | 8 | 0.88 | 2.47 | 2.88 | 3.94 | 0.94 | 2.94 | 12 |
| 3 | 8.25 | 6.62 | 5.00 | 8 | 0.88 | 3.07 | 3.50 | 4.62 | 1.06 | 3.06 | 15 |
| 3 1/2 | 9.00 | 7.25 | 5.50 | 8 | 0.88 | 3.55 | 4.00 | 5.25 | 1.12 | 3.13 | 18 |
| 4 | 10.00 | 7.88 | 6.19 | 8 | 0.88 | 4.03 | 4.50 | 5.75 | 1.19 | 3.32 | 25 |
| 5 | 11.00 | 9.25 | 7.31 | 8 | 0.88 | 5.05 | 5.56 | 7.00 | 1.31 | 3.82 | 32 |
| 6 | 12.50 | 10.62 | 8.50 | 12 | 0.88 | 6.07 | 6.63 | 8.12 | 1.38 | 3.82 | 42 |
| 8 | 15.00 | 13.00 | 10.62 | 12 | 1.00 | 7.98 | 8.63 | 10.25 | 1.56 | 4.32 | 67 |
| 10 | 17.50 | 15.25 | 12.75 | 16 | 1.12 | 10.02 | 10.75 | 12.62 | 1.81 | 4.56 | 91 |
| 12 | 20.50 | 17.75 | 15.00 | 16 | 1.25 | 12.00 | 12.75 | 14.75 | 1.94 | 5.06 | 140 |
| 14 | 23.00 | 20.25 | 16.25 | 20 | 1.25 | 13.25 | 14.00 | 16.75 | 2.06 | 5.56 | 180 |
| 16 | 25.50 | 22.50 | 18.50 | 20 | 1.38 | 15.25 | 16.00 | 19.00 | 2.19 | 5.65 | 250 |
| 18 | 28.00 | 24.75 | 21.00 | 24 | 1.38 | 17.25 | 18.00 | 21.00 | 2.31 | 6.19 | 320 |
| 20 | 30.50 | 27.00 | 23.00 | 24 | 1.38 | 19.25 | 20.00 | 23.12 | 2.44 | 6.32 | 400 |
| 22 | 33.00 | 29.25 | 25.25 | 24 | 1.63 | 21.25 | 22.00 | 25.25 | 2.56 | 6.44 | 465 |
| 24 | 36.00 | 32.00 | 27.25 | 24 | 1.63 | 23.25 | 24.00 | 27.62 | 2.69 | 6.56 | 580 |

(A) All dimensions are in inches

(B) These flanges will be furnished with a 1/16" raised face unless otherwise specified.

(C) Standard Bore will be furnished unless otherwise specified.